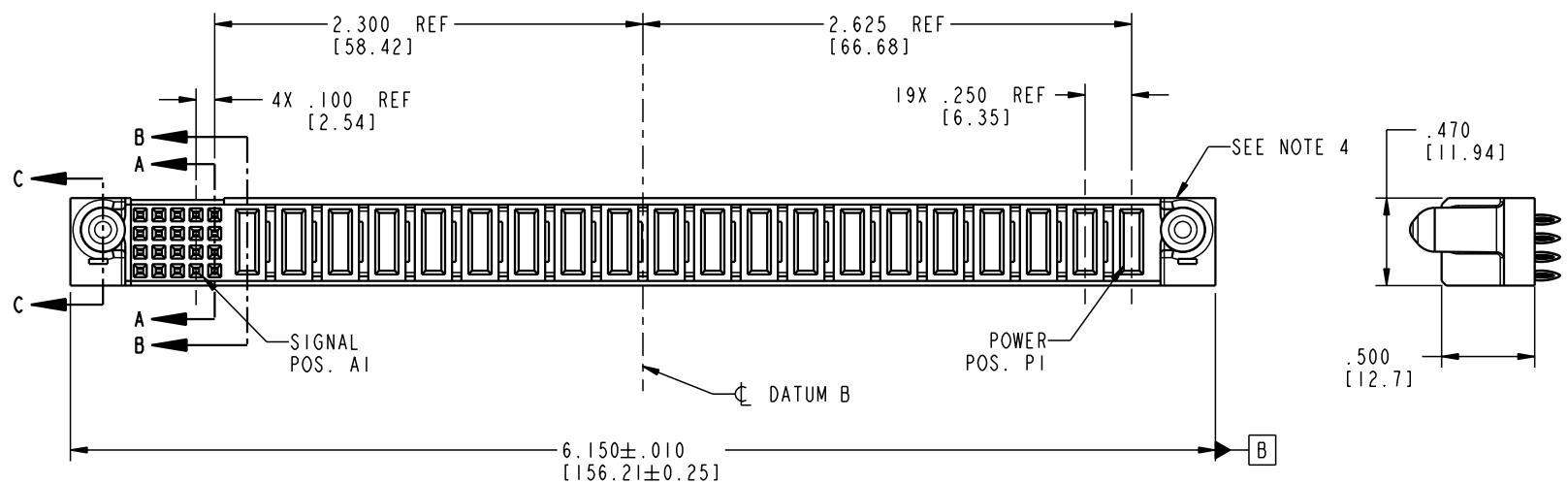


Tous droits strictement réservés. Reproduction ou communication o des liers interdite sous quelque forme que ce soit sans autorisation écrite du propriétaire. Propriete de c FCI. Droits de reproduction FCI.

FCI

All rights strictly reserved. Reproduction or issue to third parties in any form, whenever is not permitted without written authority from the proprietor. Property of FCI. Copyright FCI.

PRODUCT NO.	ROWS	SIGNAL				POWER																E1						
		E2	5	4	3	2	1	P20	P19	P18	P17	P16	P15	P14	P13	P12	P11	P10	P9	P8	P7		P6	P5	P4	P3	P2	P1
51742-12002000CC	D C B A		F	F	F	F	PC	PC	PC	PC	PC	PC	PC	PC	PC	PC	PC	PC	PC	PC	PC	PC	PC	PC	PC	PC	PC	



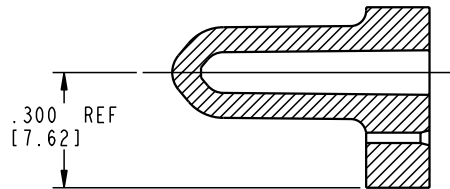
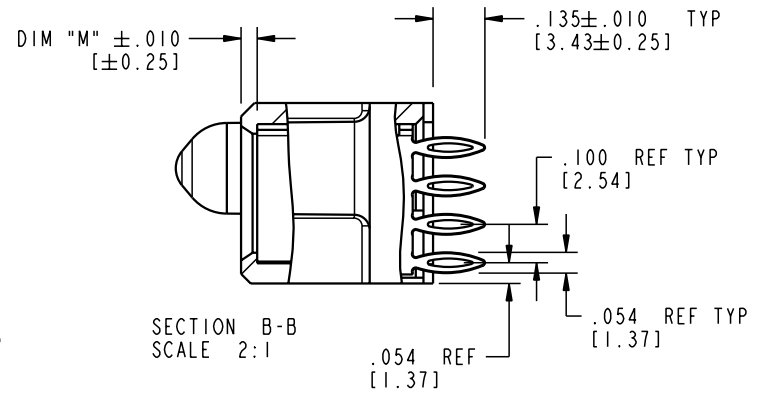
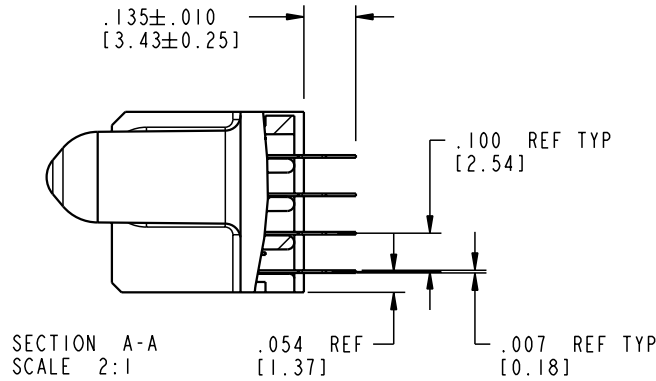
CODE	DIM "M" MATING LENGTH	CONTACT TYPE
F	N/A [N/A]	SIGNAL
PC	.042 [1.07]	POWER

mat'l code				SEE NOTE 2		tolerances unless otherwise specified		CUSTOMER		FCI www.fciconnect.com	
ltr	ecn no.	dr	date	linear	.XX±.01/0.X±0.3		COPY		title 20P + 20S VERTICAL SOLDER RECEPT		
A	V21523	CGD	09/23/02		.XXX±.005/0.XX±0.13		projection				
B	V04-0035	TAB	01/16/04		.XXX±.0020/0.XXX±0.051		INCH/MM				
				angles	0° ± 2°		scale		product family PwrBlade code 213		
				dr	C. DAILY	09/23/02	1:1		size dwg no		
				engr	M. MOSTOLLER	09/23/02			A 51742-12002000CC		
				chr	M. MOSTOLLER	09/23/02			sheet 1 of 4		
				appd	M. MOSTOLLER	09/23/02					
sheet index	revision	B	B	B	B						
	sheet	1	2	3	4						


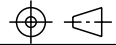
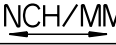
Tous droits strictement réservés. Reproduction ou communication o des tiers interdite sous quelque forme que ce soit sans autorisation écrite du propriétaire. Propriete de c FCI. Droits de reproduction FCI.

All rights strictly reserved. Reproduction or issue to third parties in any form whatever is not permitted without written authority from the proprietor. Property of FCI. Copyright FCI.

PRODUCT NUMBER
51742-12002000CC



SECTION C-C
SCALE 2:1

mat'l code				SEE NOTE 2		tolerances unless otherwise specified		CUSTOMER		 www.fciconnect.com	
ltr	ecm no.	dr	date	linear	.XX ± .01/0.X ± 0.3		COPY		 INCH/MM	title	
B					.XXX ± .005/0.XX ± 0.13		projection			20P + 20S	
				angles	.XXX ± .0020/0.XXX ± 0.051		 1:1		VERTICAL SOLDER RECEIPT		
				dr	C. DAILY	09/23/02	product family		PwrBlade	code	
				enr	M. MOSTOLLER	09/23/02	size		dwg no	213	
				chr	M. MOSTOLLER	09/23/02	A		51742-12002000CC	sheet	
				appd	M. MOSTOLLER	09/23/02				2 of 4	
sheet index		revision sheet									

Pro/E

cage code 22526

PDM: Rev:B

STATUS: Released

Printed: Aug 14, 2007

Tous droits strictement réservés. Reproduction ou communication o des tiers interdite sous quelque forme que ce soit sans autorisation écrite du propriétaire. Propriété de c FCI. Droits de reproduction FCI.

A
FCI

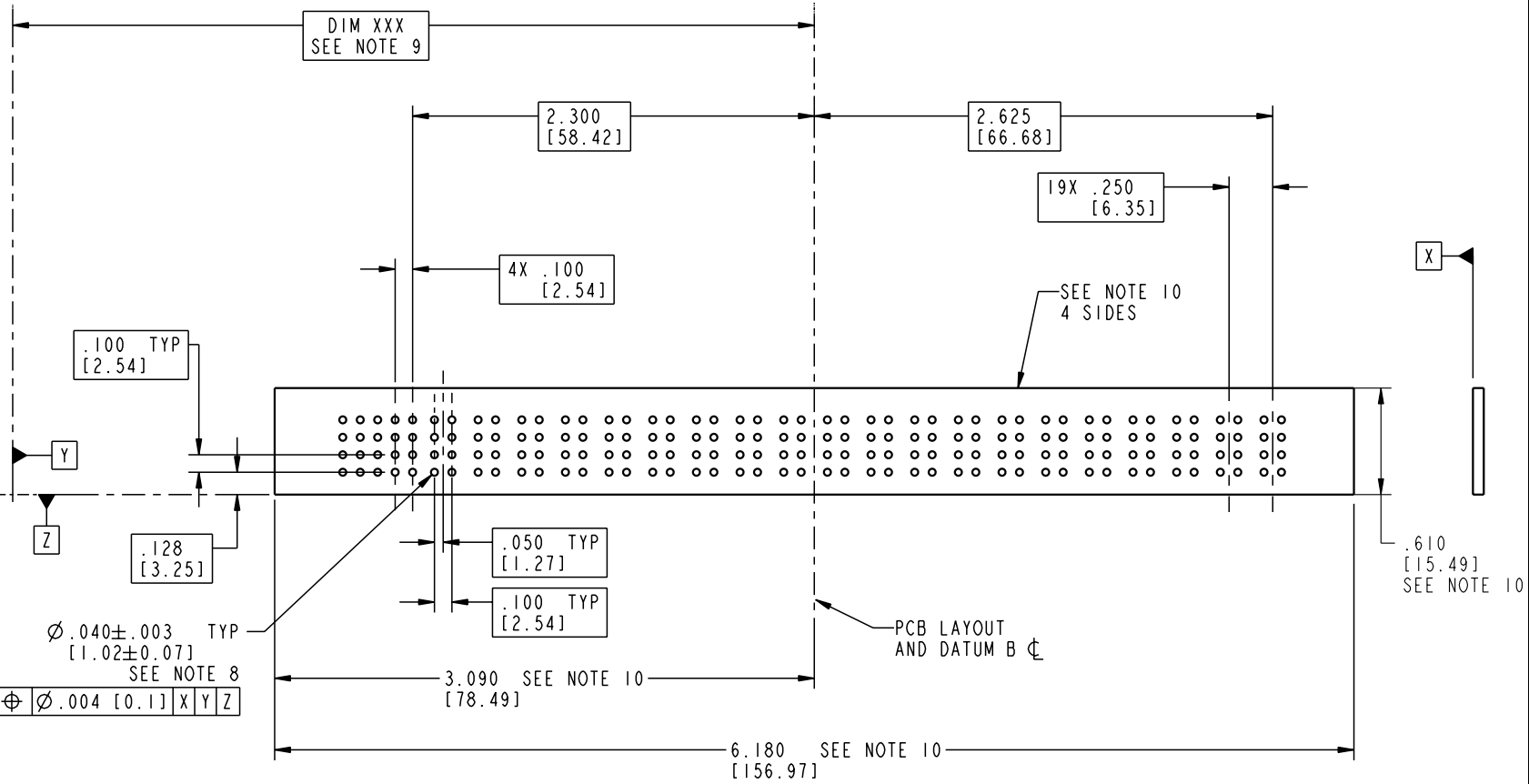
All rights strictly reserved. Reproduction or issue to third parties in any form whatever is not permitted without written authority from the proprietor. Property of FCI. Copyright FCI.

A

FCI

B


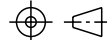
PRODUCT NUMBER
51742-12002000CC



A

FCI

B

mat'l code				SEE NOTE 2		tolerances unless otherwise specified		CUSTOMER		 www.fciconnect.com	
ltr	ecr no.	dr	date	linear	.XX±.01/0.X±0.3	projection	COPY		title		
B				angles	.XXX±.005/0.XX±0.13		20P + 20S		VERTICAL SOLDER RECEIPT		
				dr	.XXX±.0020/0.XXX±0.051	INCH/MM	product family		PwrBlade		code
				enr	0° ± 2°	scale	size		dwg no		213
				chr	0° ± 2°	1:1	A		51742-12002000CC		sheet
				appd	0° ± 2°						3 of 4
sheet index	revision sheet										

Pro/E

cage code 22526

PDM: Rev:B

STATUS: Released

Printed: Aug 14, 2007

Tous droits strictement réservés. Reproduction ou communication o des tiers interdite sous quelque forme que ce soit sans autorisation écrite du propriétaire. Propriete de c FCI. Droits de reproduction FCI.

A
FCI

All rights strictly reserved. Reproduction or issue to third parties in any form, whenever is not permitted without written authority from the proprietor. Property of FCI. Copyright FCI.

B

PRODUCT NUMBER
51742-1200200CC

NOTES:

1. DIMENSIONS AND TOLERANCES ARE IN ACCORDANCE WITH ASME Y14.5M, 1994 UNLESS OTHERWISE SPECIFIED.

CONNECTOR NOTES:

- ② HOUSING MATERIAL: UL 94 V-0 GLASS FILLED
HIGH-TEMP THERMOPLASTIC
POWER CONTACT MATERIAL: COPPER ALLOY
SIGNAL PIN MATERIAL: COPPER ALLOY
- 3. PLATING:
SIGNAL PINS: 30u"/0.76um Au OVER 50u"/1.27um Ni
POWER CONTACTS: 50u"/1.27um Ni UNDER ALL
WITH 30u"/0.76um Au ON CONTACT AREA
AND SnPb ON PCB INTERFACE

- ④ MANUFACTURER'S NAME, P/N, AND DATE CODE TO APPEAR ON THIS SURFACE.

5. PRODUCT SPECIFICATION GS-12-149.
APPLICATION SPECIFICATION BUS-20-067.

PCB NOTES:

- 6. ALL HOLE DIAMETERS ARE FINISHED HOLE SIZE.
- 7. MOUNTING HOLES, WHERE APPLICABLE, ARE UNPLATED.

- ⑧ $\varnothing .0453 \pm .0010$ [1.151 ± 0.025] DRILLED HOLES PLATED WITH .0003 [0.008] MIN SnPb OVER .001 [0.03] TO .003 [0.08] Cu PLATING TO ACHIEVE $\varnothing .040 \pm .003$ [1.02 ± .07] HOLE.
- ⑨ "DIM XXX" TO BE DETERMINED BY THE CUSTOMER.
- ⑩ CONNECTOR KEEP-OUT ZONE.

mat'l code				SEE NOTE 2		tolerances unless otherwise specified		CUSTOMER		A FCI www.fciconnect.com	
ltr	ecr no.	dr	date	linear	.XX±.01/0.X±0.3		COPY		title 20P + 20S VERTICAL SOLDER RECEPT		
B					.XXX±.005/0.XX±0.13		projection				
				angles	.XXX±.0020/0.XXX±0.051				size dwg no		
				dr	0° ± 2°		INCH/MM		sheet 4 of 4		
				enr	C. DAILY	09/23/02	scale		A 51742-1200200CC		
				chr	M. MOSTOLLER	09/23/02	1:1				
				appd	M. MOSTOLLER	09/23/02					
sheet index	revision sheet										

1 | 2

3 |

4

1 | 2

Pro/E

3 |

cage code **22526**

4

PDM: Rev:B

STATUS: **Released**

Printed: Aug 14, 2007